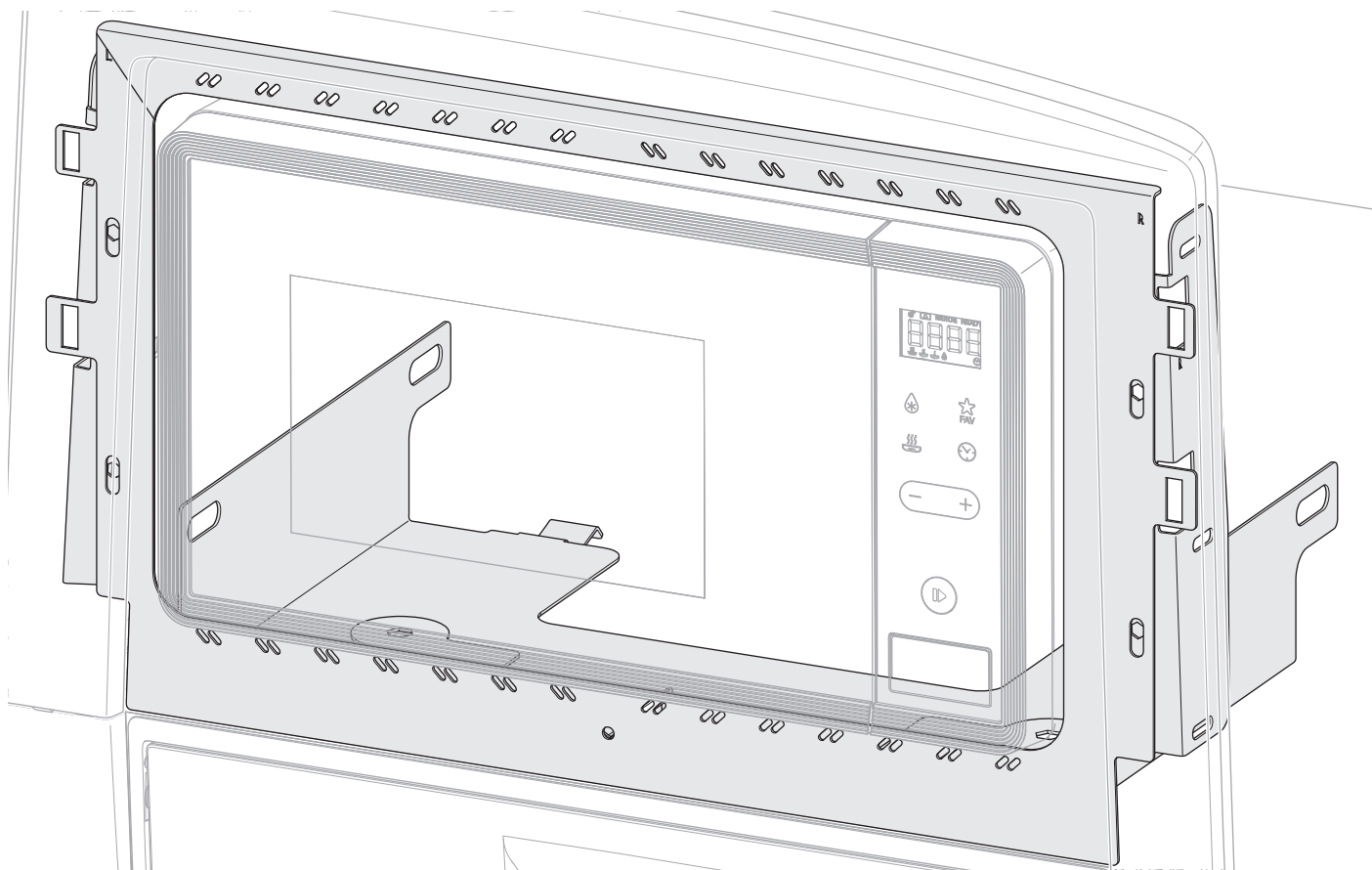


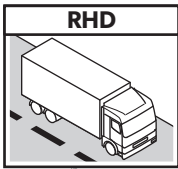
↗ DOMETIC

COMPLEMENTARY PRODUCTS MICROWAVES

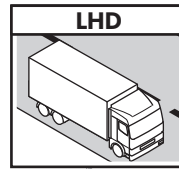
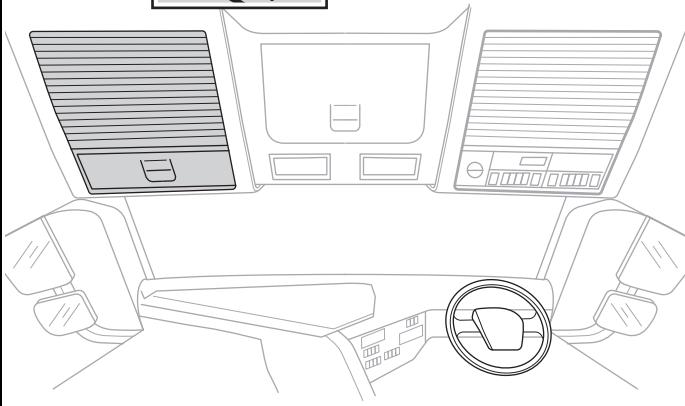


MWO24 microwave fixing kit for Volvo FH MY 2020 →

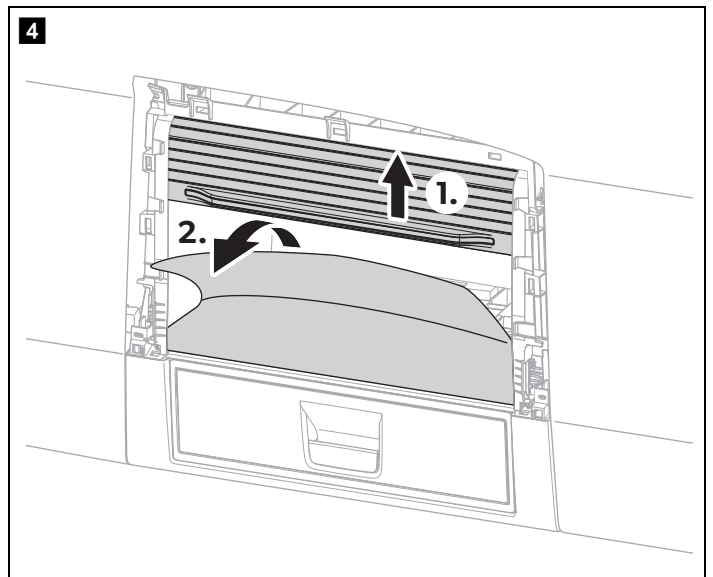
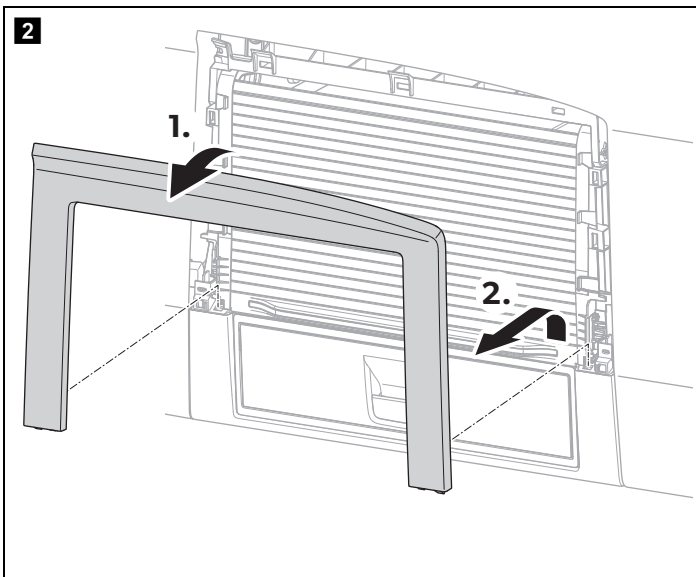
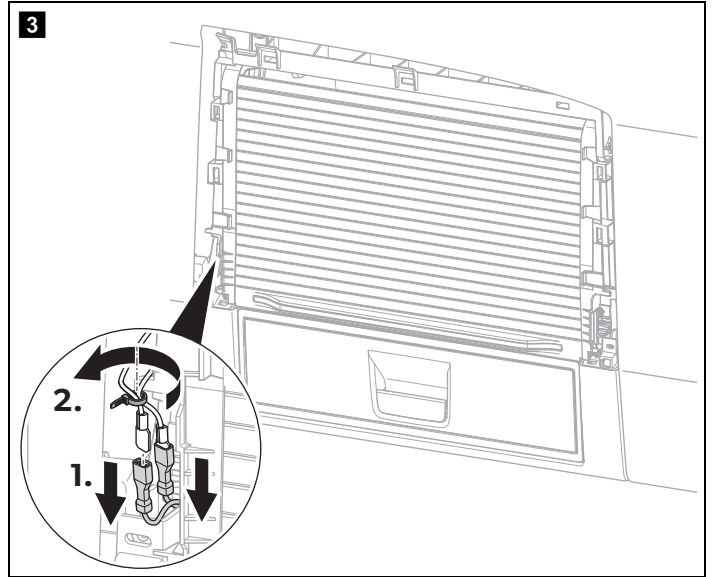
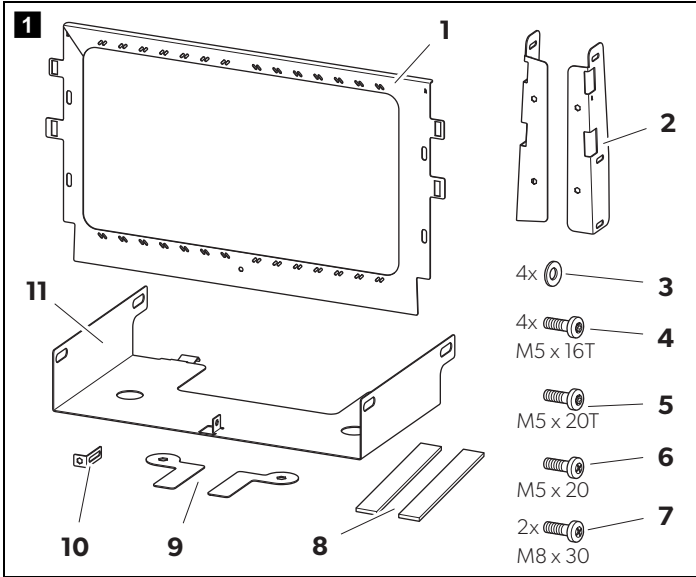
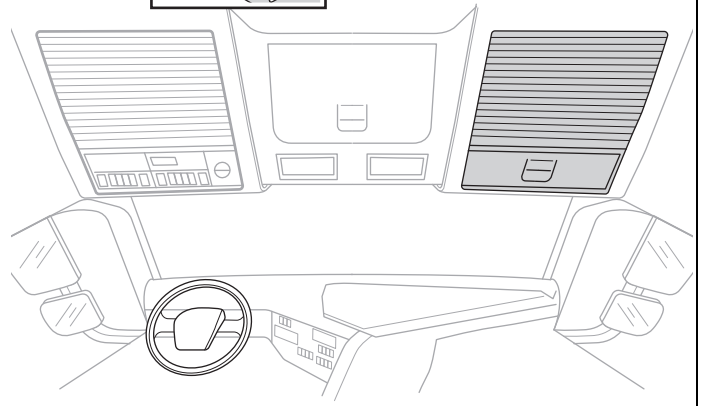
© 2022 Dometic Group. The visual appearance of the contents of this manual is protected by copyright and design law. The underlying technical design and the products contained herein may be protected by design, patent or be patent pending. The trademarks mentioned in this manual belong to Dometic Sweden AB. All rights are reserved.

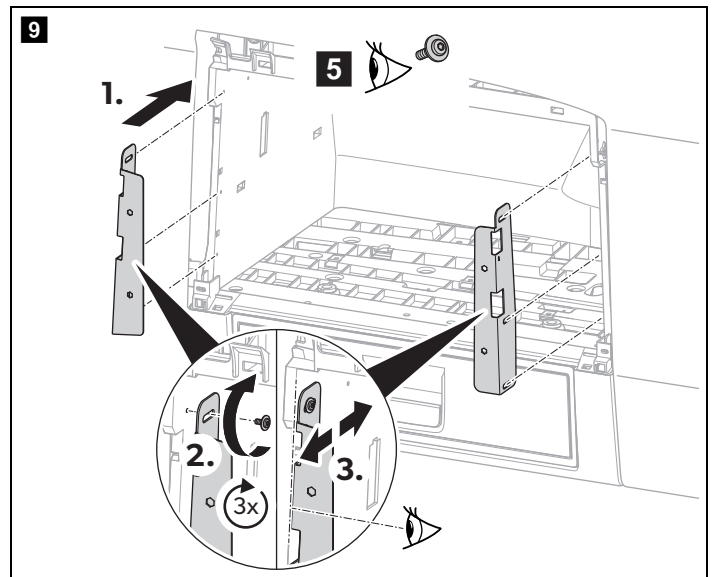
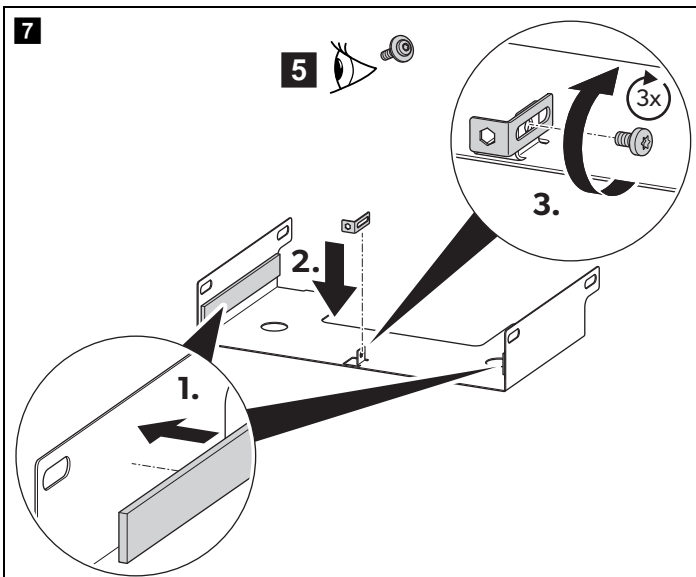
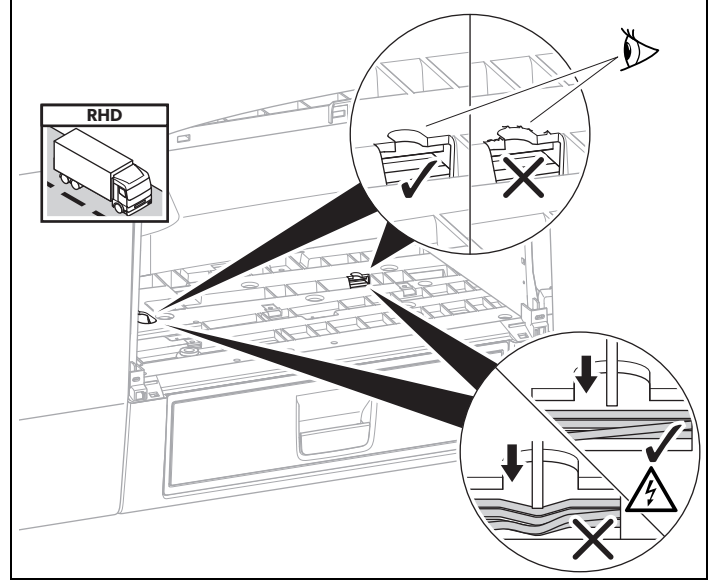
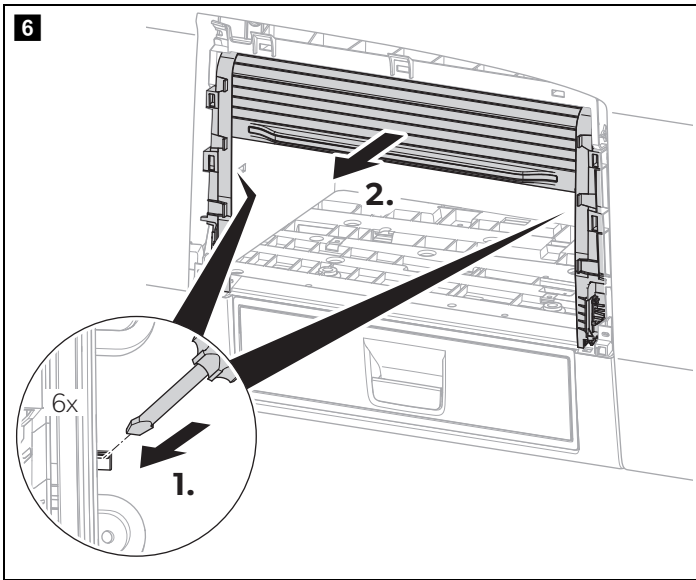
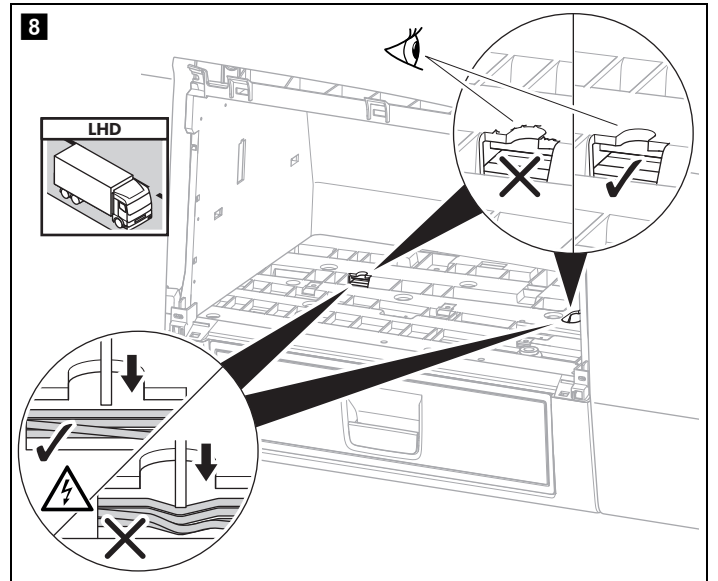
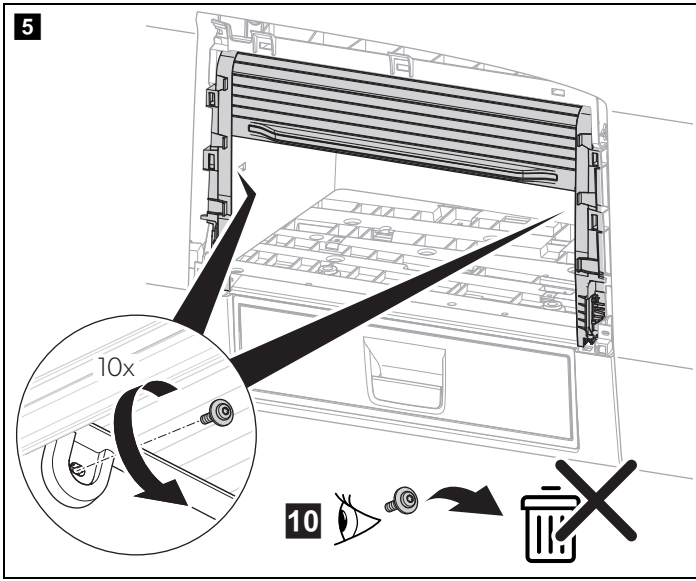


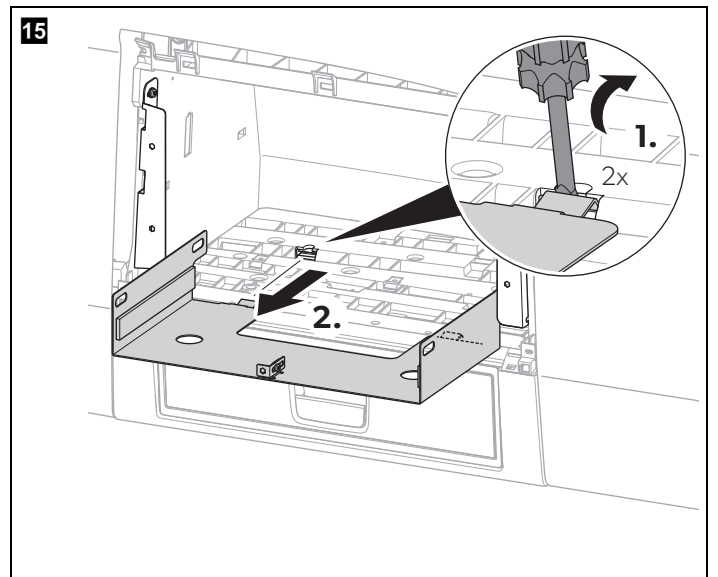
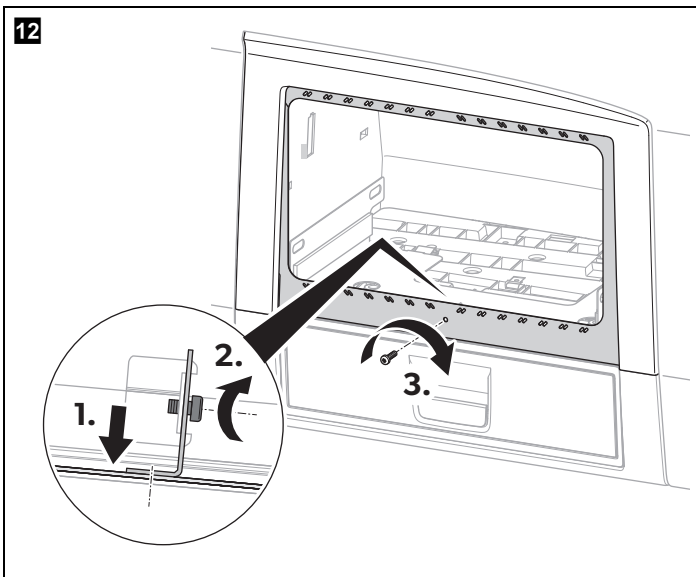
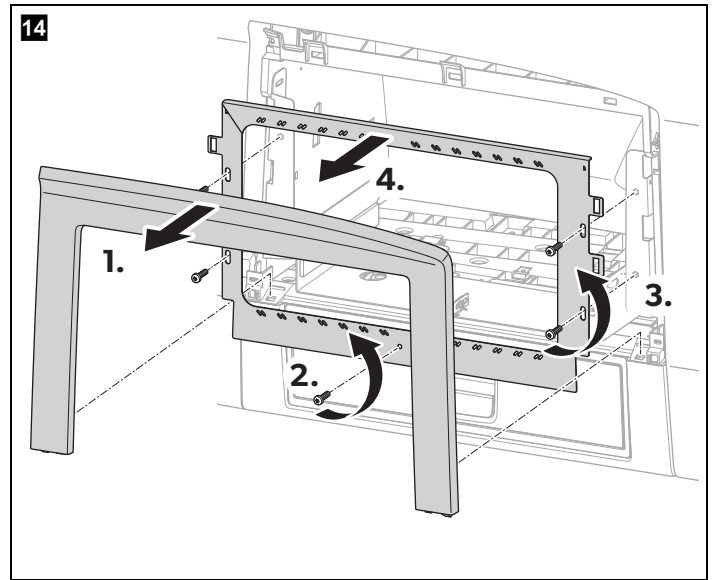
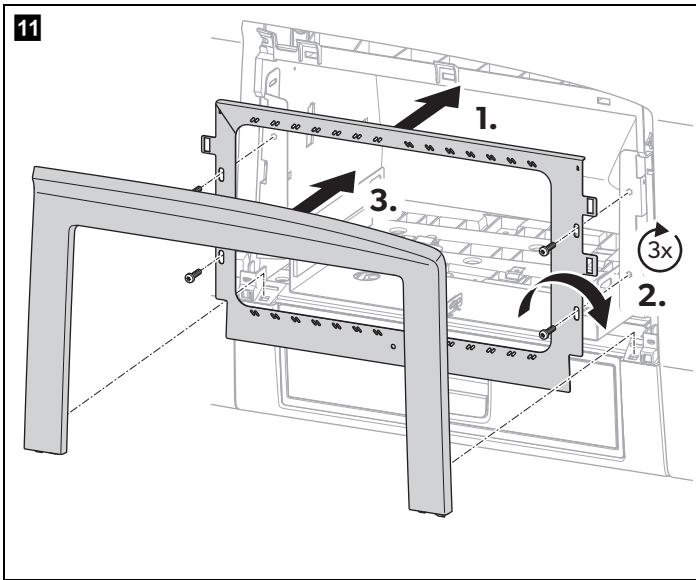
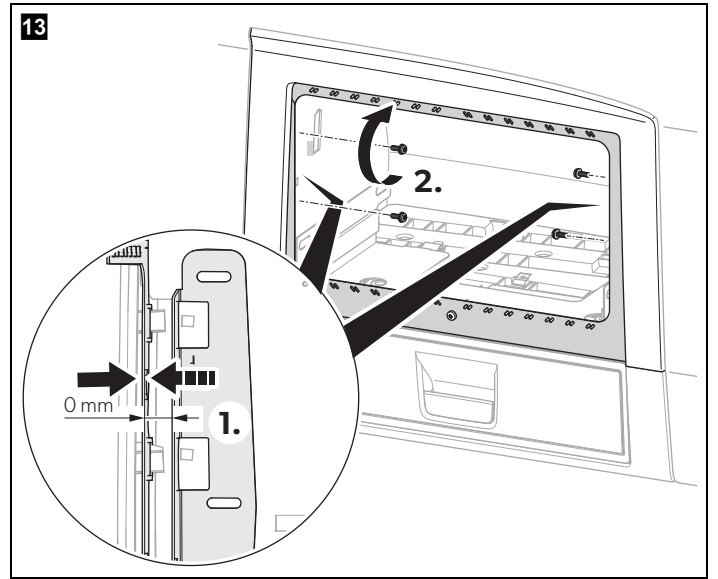
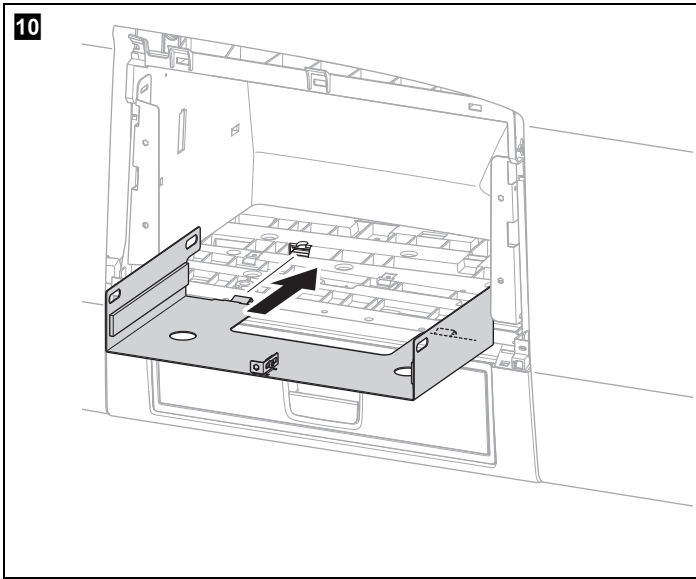
SKU 9620001324

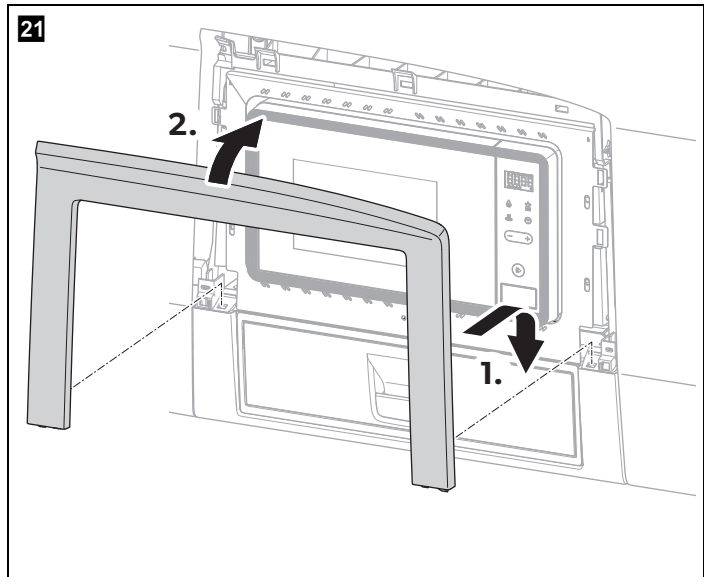
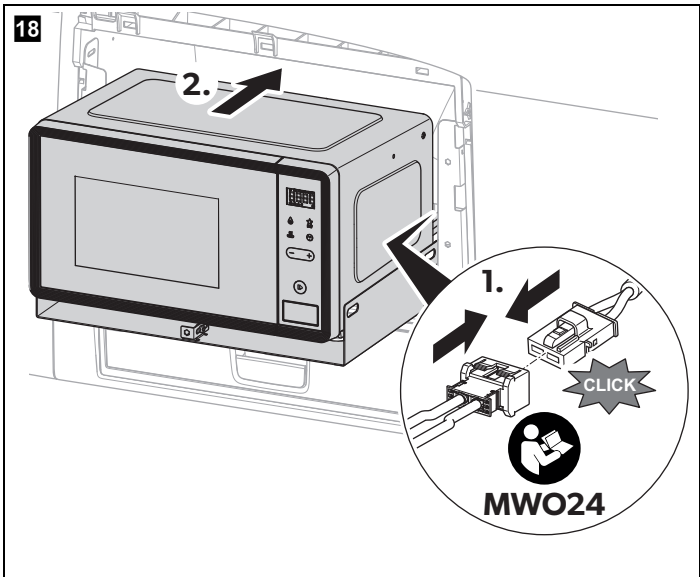
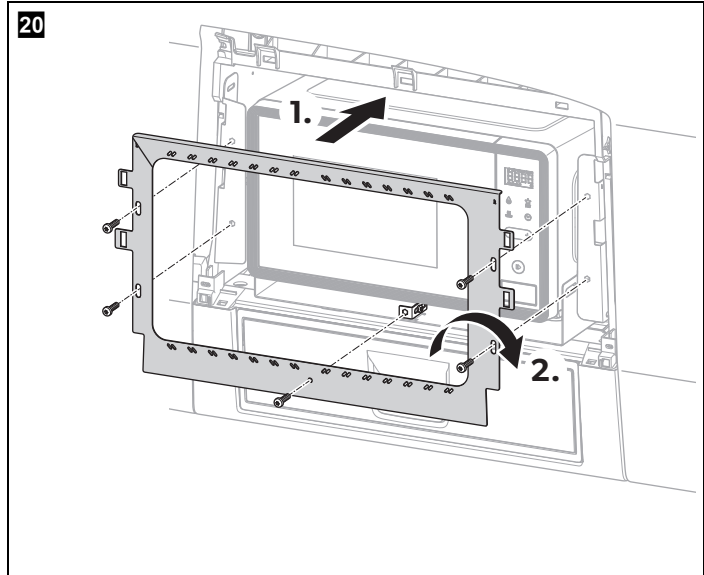
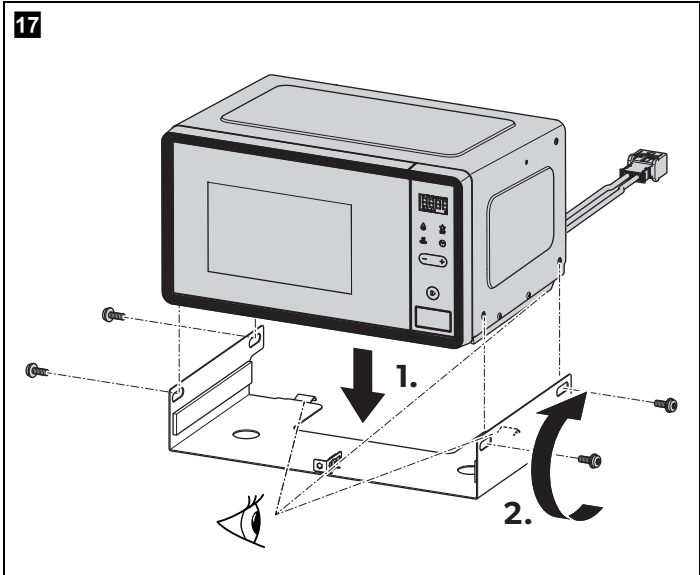
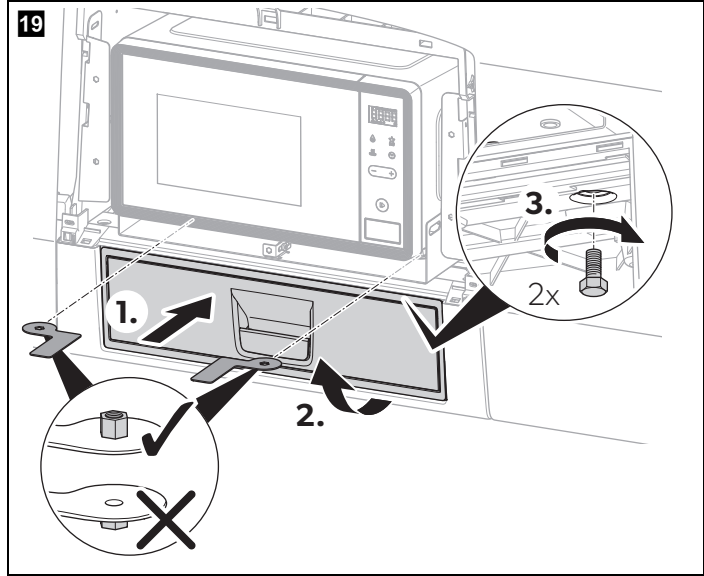
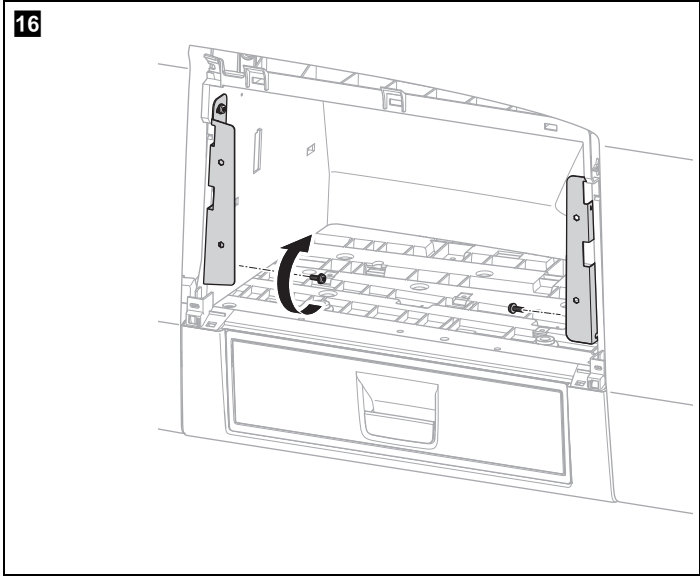


SKU 9620000549

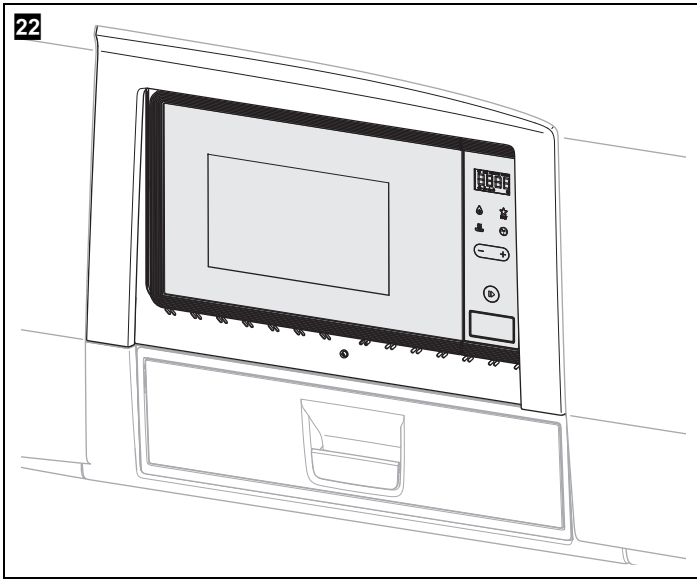








22



dometic.com

**YOUR LOCAL
DEALER**

dometic.com/dealer

**YOUR LOCAL
SUPPORT**

dometic.com/contact

**YOUR LOCAL
SALES OFFICE**

dometic.com/sales-offices
